

**M12 male 0° / M12 female 0° shielded**

PVC 4x0.34 shielded gy 4m

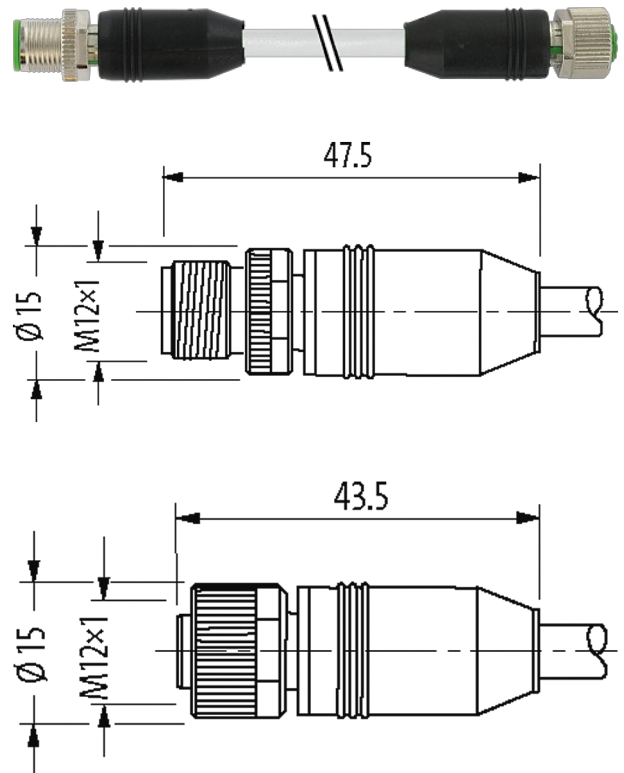
Male straight – female straight

M12 – M12, 4-pole  
shielded

Plastic housings with good resistance against chemicals and oils.

The resistance to aggressive media should be individually tested for your application. Further details on request.

Further cable lengths on request.

**Illustration**

Product may differ from Image

**Approvals**

\* only for products with UL/CSA approved cable

cCSAus

**Form**

Form 40501

**Cables**

|                       |                          |
|-----------------------|--------------------------|
| Cable number          | 330                      |
| No./diameter of wires | 4 x 0.34 mm <sup>2</sup> |
| Wire isolation        | PVC (br, wh, bl, bk)     |
| Jacket Color          | gray                     |
| Material (jacket)     | PVC                      |
| Outer Ø               | 5.9 mm ±5%               |

|                            |              |
|----------------------------|--------------|
| Bend radius (fixed)        | 5× outer Ø   |
| Bend radius (moving)       | 15× outer Ø  |
| Temperature range (fixed)  | -25...+80 °C |
| Temperature range (mobile) | -5...+70 °C  |
| Shield                     | yes          |
| Color (jacket)             | gray         |
| Approval (cable)           | CE conform   |

#### Technical Data

|                                    |  |
|------------------------------------|--|
| Operating voltage                  | max. 60 V AC/DC  |
| Operating voltage (only UL listed) | max. 30 V AC/DC  |
| Operating current per contact      | max. 4 A   |
| Locking of ports                   | Screw thread (M12×1 mm) recommended torque 0.6 Nm, self-securing |
| Compression gland                  | M12 (SW13)   |
| Locking material                   | Zinc die casting, matte nickel plated                            |
| Protection                         | IP65 and IP67 when plugged and screwed down (EN 60529)           |

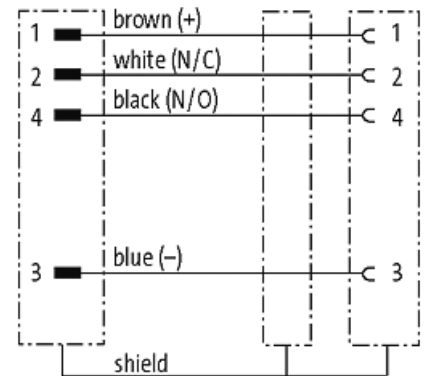
#### General data

|                   |  |
|-------------------|--|
| Standards         | DIN EN 61076-2-101 (M12)                 |
| Temperature range | -25...+85 °C, depending on cable quality |

#### Commercial data

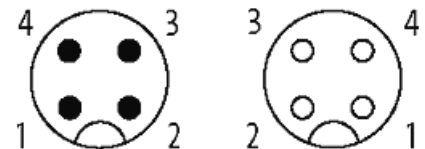
|                       |               |
|-----------------------|---------------|
| country of origin     | DE            |
| customs tariff number | 85444290      |
| EAN                   | 4048879575478 |
| eClass                | 27279218      |
| Packaging unit        | 1             |

#### Sketch



Male

Female



Product may differ from Image